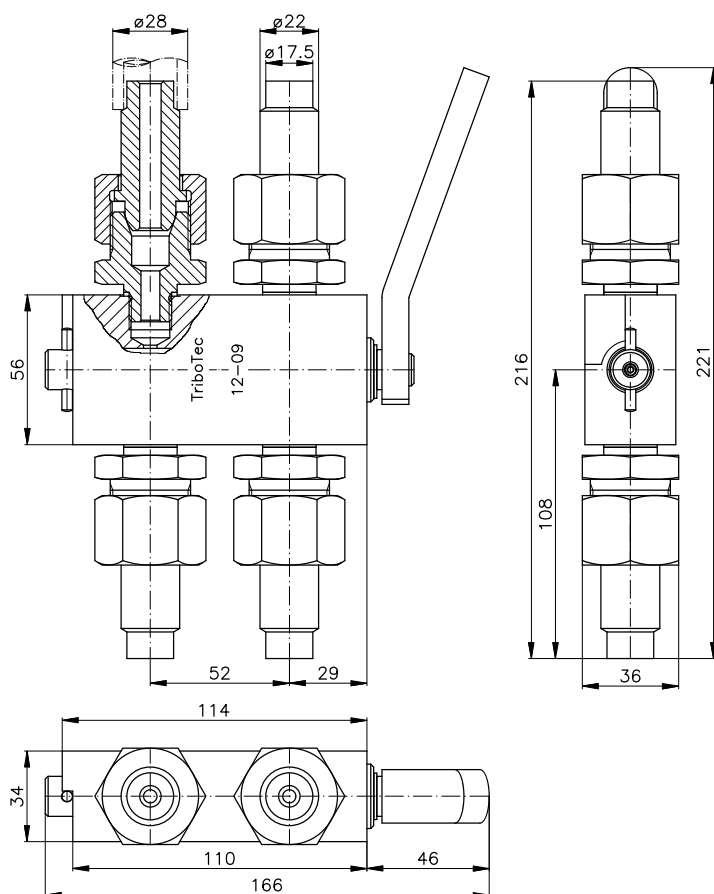


Name	Code	D
RUK	9 45 0862	G3/8
RUK	9 45 1163	M16x1,5
RUK STAINLESS	9 45 0803	M16x1,5

Pos	Name
1	Cock body
2	Hand-operated lever
3	Sleeve valve
4	O-ring



Name	Code	D
RUK-TR28	9 45 1164	M16x1,5

Name	HAND-OPERATED STOP-COCK	©Tribotec s.r.o. Košuličova 4 Brno www.tribotec.cz +420 543 425 611
Type	RUK	
Code		