

SOLENOID VALVE

SV1

DESCRIPTION

SV1 electrically controlled valve is used as a control element that serves to separate and connect the self-standing parts of branched lubricating and hydraulic circuits that operate with oil and plastic grease. In conventional valves the grease has a trend to stick in here and cause a blockage. SV1 valve construction precedens and prevents this phenomenon. SV1 solenoid valve is suitable for all types of central lubrication systems, which allows increasing the variability of functional modes of more complicated control circuits with externally controlled separation and connection of branches that require different rates of lubrication.

OPERATING

The solenoid valve is a valve of which the control element is an electromagnet which moves through the coil when changing the electrical signal the valve to the open position or closed, which is opened or closed by the flow of working medium through the valve in lubrication and hydraulic circuits.

The solenoid valve is a valve, of which the control element is an electromagnet, which by means of the coil moves at the change of the electrical signal the valve to the position open or closed, through the valve in the lubricating or hydraulic circuits.

The valve may be in the basic position (without an electrical signal) open (NO) or closed (NC).

SERVICE AND MAINTENANCE

The valve may be installed in any position. The valve is being fastened with helping M6 bolts. The cover of connector socket can be turned 360 degree round with respect to the elektromagnet body after 16 steps in the range of 360°.

The valve does not any maintenance. For its reliable operation, it is necessary that the lubricating medium (oil, grease) be free of impurities that may cause the sticking of the closing valve gate.

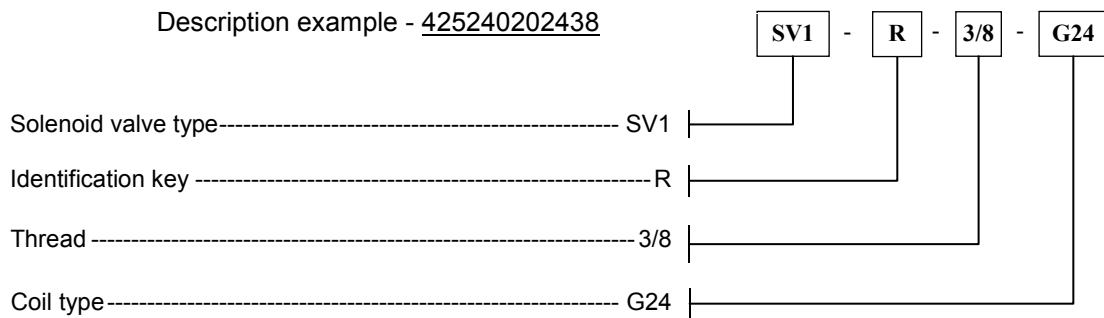
TECHNICAL DATA

Maximum working pressure	400 bar
Maximum lubricant flow	15 000 cm ³ /min.
Description	valve 2/2, NC (normally closed) or NO (normally opened), valve 3/2, valve 4/2 NC or NO
Nominal operating voltage	24V DC, 110V AC, 230V AC, 50/60Hz
Inlet and outlet pipe union	G1/4", G1/2", G3/8" or G3/4"
Lubricant	oil, grease max. NLGI-2
Weight	according to performance

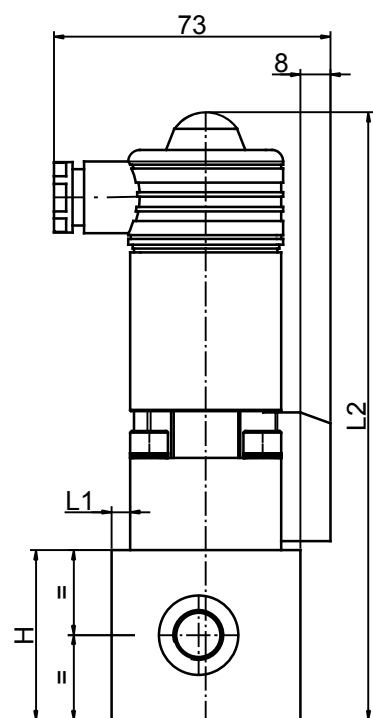
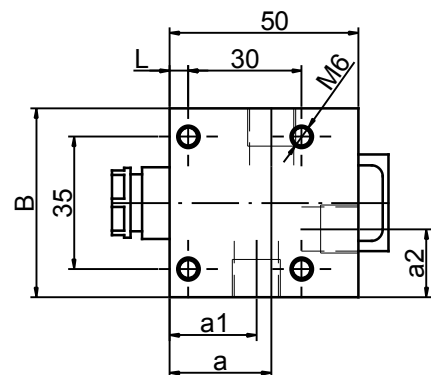
STANDARD PERFORMANCE

Valve type			Thread	Coil type		
				G24	WG110	WG230
				24V DC 20W 0.83A	110V DC 20W 0.2A	240V DC 20W 0.1A
SV1-R		2/2 NC	G1/2"	425240202412	425240211012	425240223012
			G1/4"	430009050179	425240211014	425240223014
			G3/8"	425240202438	425240211038	425240223038
SV1-S		2/2 NO	G1/2"	425240302412	425240311012	425240323012
			G1/4"	425240302414	425240311014	425240323014
			G3/8"	425240302438	425240311038	425240323038
SV1-Z		3/2	G1/2"	425240402412	425240411012	425240423012
			G1/4"	425240402414	425240411014	425240423014
			G3/8"	425240402438	425240411038	425240423038
SV1-G		4/2 NC	G1/4"	425240502414	425240511014	425240523014
			G3/8"	425240502438	425240511038	425240523038
SV1-W		4/2 NO	G3/4"	425240602434	425240611034	425240623034

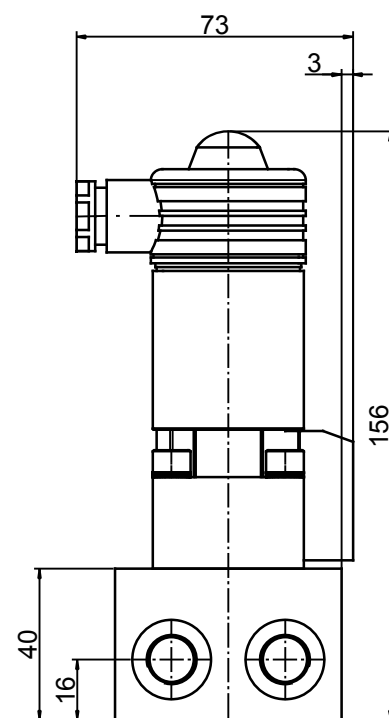
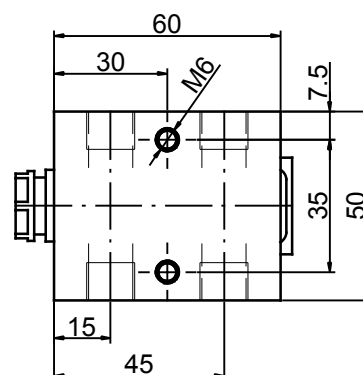
Description example - 425240202438



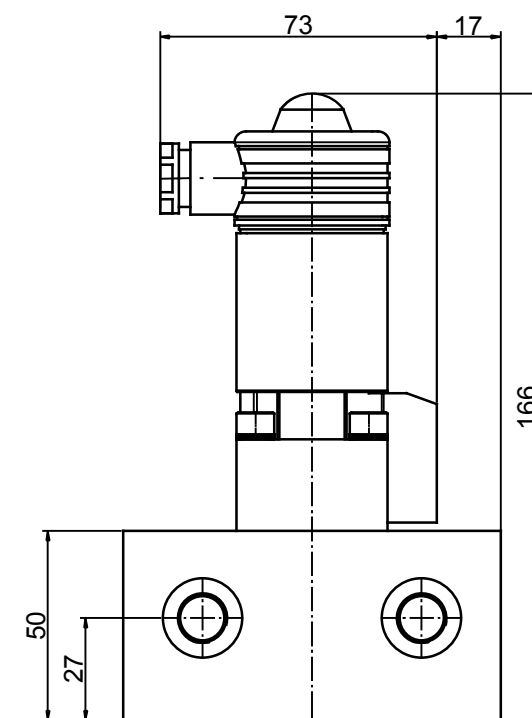
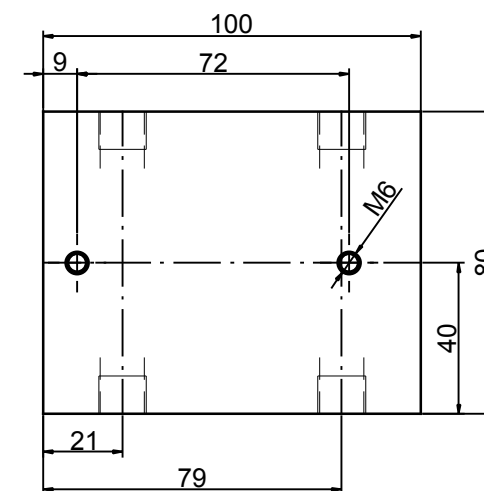
SV1-R,S,Z



SV1-G



SV1-W



Type	Thread	H	B	a	a1	a2	L	L1	L2
SV1-R,S,Z	G1/2	45	50	25	25	---	10	5	161
SV1-R,S,Z	G1/4	30	45	29	21	20	10	5	146
SV1-R,S,Z	G3/8	30	45	27	23	18	10	5	146
SV1-Z	G1/2	45	50	20	20	25	5	---	161

Name	SOLENOID VALVE	
Type	SV1	
Code		
	Tribotec s.r.o. Košuličova 4 Brno www.tribotec.cz +420 543 425 611	