

GREASE STRAINER

FLT

The FLT series through-flow strainers are inserted into the central lubrication with progressive distributors to ensure sufficient purity of lubrication grease in the circuit (e.g. after topping up) and they protect PRA and PRB progressive distributors from contamination and make their service life longer.

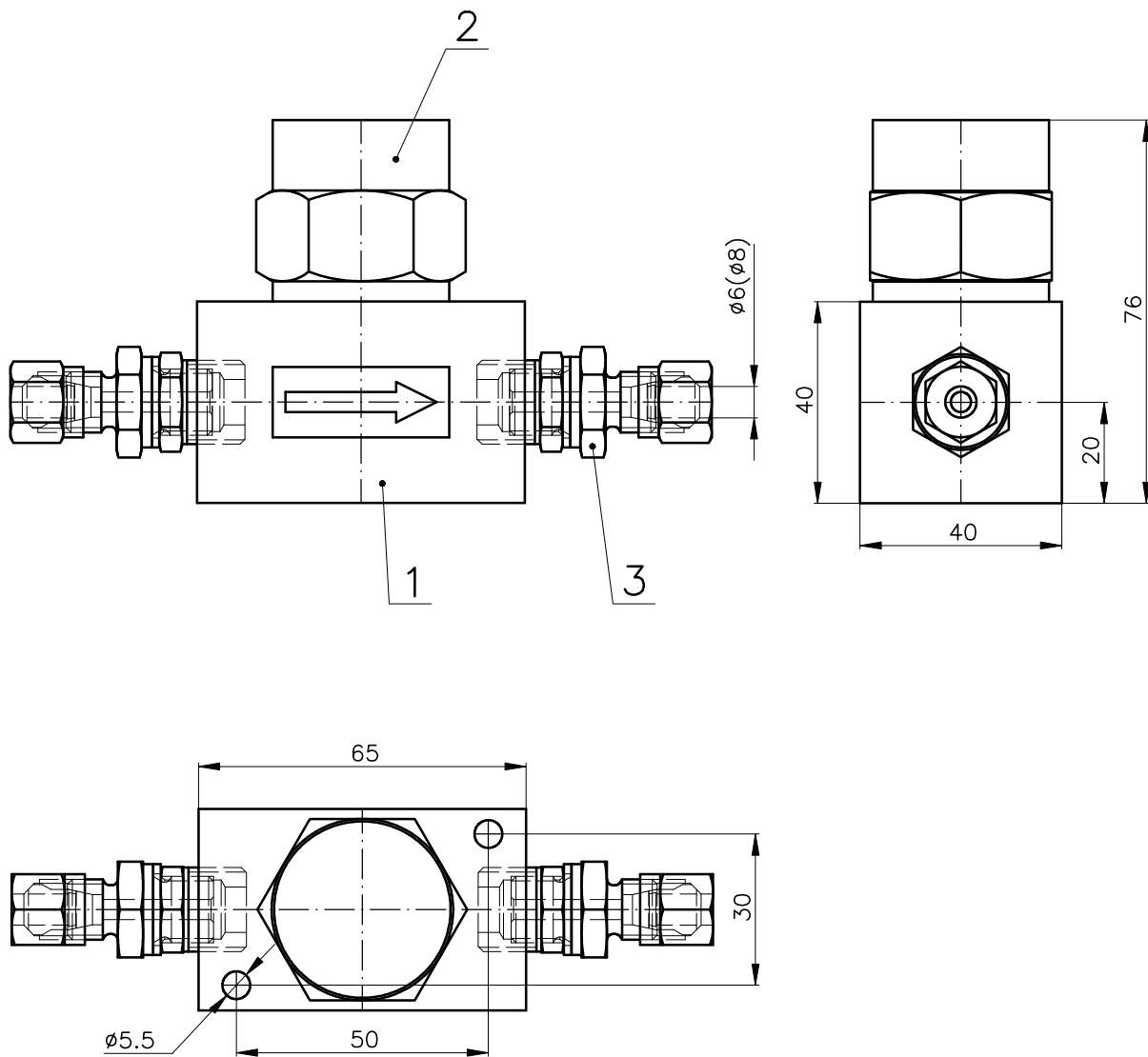
The strainers are inserted into the main pipe-line, in front of the first (master) distributor and then at the beginning of the ancillary branches of lubrication circuit.

The strainers consist of the body and replaceable cleaning element. The direction of the lubricant flow is indicated on the strainer body by an arrow.

Type	Cleaning ability in micron	Strainer code	Cleaning element code
FLT 150	150	1072610	1072624
FLT 300	300	1072611	1072625

NOTE:

The strainers are standardly supplied without fittings, with G1/4" threaded inlet and outlet holes only. For various range of connectors, please see our Progressive system accessories catalogue sheet.



Pos	Name
1	Strainer body
2	Cleaner cartridge
3	Male stud coupling (separate items)

Name	GREASE STRAINER	©Tribotec s.r.o. Košuličova 4 Brno www.tribotec.cz +420 543 425 611
Type	FLT 150 (300)	
Code		